

BALDOR® • RELIANCE 

Product Information Packet

RL1307A

.75HP,1725RPM,1PH,60HZ,56,3428L,OPEN,F1

Part Detail							
Revision:	F	Status:	PRD/A	Change #:		Proprietary:	No
Type:	AC	Elec. Spec:	34WGW169	CD Diagram:	CD0052	Mfg Plant:	
Mech. Spec:	34G084	Layout:	34LYG084	Poles:	04	Created Date:	03-13-2013
Base:	RS	Eff. Date:	06-29-2018	Leads:	6#18,1#14 #1TH		

Specs			
Catalog Number:	RL1307A	Inverter Code:	Not Inverter
Enclosure:	OPEN	KVA Code:	K
Frame:	56	Lifting Lugs:	No Lifting Lugs
Frame Material:	Steel	Locked Bearing Indicator:	No Locked Bearing
Output @ Frequency:	.750 HP @ 60 HZ	Motor Lead Quantity/Wire Size:	6 @ 18 AWG
Synchronous Speed @ Frequency:	1800 RPM @ 60 HZ	Motor Lead Exit:	Terminal Panel
Voltage @ Frequency:	230.0 V @ 60 HZ	Motor Lead Termination:	Flying Leads
	115.0 V @ 60 HZ	Motor Type:	3428L
XP Class and Group:	None	Mounting Arrangement:	F1
XP Division:	Not Applicable	Power Factor:	68
Agency Approvals:	CSA	Product Family:	General Purpose
	UR	Pulley End Bearing Type:	Ball
Auxillary Box:	No Auxillary Box	Pulley Face Code:	Resilient Mount
Auxillary Box Lead Termination:	None	Pulley Shaft Indicator:	Standard
Base Indicator:	Resilient	Rodent Screen:	None
Bearing Grease Type:	Polyrex EM (-20F +300F)	RoHS Status:	ROHS COMPLIANT
Blower:	None	Shaft Extension Location:	Pulley End
Current @ Voltage:	10.200 A @ 115.0 V	Shaft Ground Indicator:	No Shaft Grounding

	5.100 A @ 230.0 V	Shaft Rotation:	Reversible: Connected Standard
	6.000 A @ 208.0 V	Shaft Slinger Indicator:	No Slinger
Design Code:	N	Speed Code:	Single Speed
Drip Cover:	No Drip Cover	Motor Standards:	NEMA
Duty Rating:	CONT	Starting Method:	Direct on line
Electrically Isolated Bearing:	Not Electrically Isolated	Thermal Device - Bearing:	None
Feedback Device:	NO FEEDBACK	Thermal Device - Winding:	None
Front Face Code:	Resilient Mount	Vibration Sensor Indicator:	No Vibration Sensor
Front Shaft Indicator:	None	Winding Thermal 1:	Automatic Thermal Overload
Heater Indicator:	No Heater	Winding Thermal 1 Location:	SB
Insulation Class:	B	Winding Thermal 2:	None

Nameplate NP1257L	
CAT.NO.	RL1307A
SPEC.	34G084W169G2
HP	.75
VOLTS	115/230
AMP	10.2/5.1
RPM	1725
FRAME	56
SER.F.	1.25
NEMA-NOM-EFF	68
RATING	40C AMB-CONT
CC	
DE	6203
ENCL	OPEN
	SFA 11.4/5.7
	CODE K
	DES N
	CL B
	PF 68
	HZ 60
	PH 1
	USABLE AT 208V 6
	ODE 6203
	SN

Parts List		
Part Number	Description	Quantity
SA259917	SA 34G084W169G2	1.000 EA
RA246673	RA 34G084W169G2	1.000 EA
EC1460A05SP	ELEC CAP, 460-552 MFD, 125V, 2.06D X 3.	1.000 EA
34EP3202A01	FR ENDPLATE, MACH	1.000 EA
51XW0832A07	8-32 X .44, TAPTITE II, HEX WSHR SLTD SE	3.000 EA
11XW0832G06	#8-32 X 3/8, TAPTITE II, HEX WSHR SLTD	1.000 EA
LD5000A52	LEAD ASSY W/INTERNAL STAR RING TERMINALS	1.000 EA
51XW1032A06	10-32 X .38, TAPTITE II, HEX WSHR SLTD S	2.000 EA
51XB1016A05	10-16X5/16HX WA SL SR TYB (F/S)	2.000 EA
RM1000A03	CUSHION RING, MDL 17-33-34	1.000 EA
HA6004A01A	CLAMP CUSHION RING ASSY	1.000 EA
RM1000A03	CUSHION RING, MDL 17-33-34	1.000 EA
HA6004A01A	CLAMP CUSHION RING ASSY	1.000 EA
HW5100A03	WAVY WASHER (W1543-017)	1.000 EA
34EP3203A01	PU ENDPLATE, MACH	1.000 EA
XY1032A02	10-32 HEX NUT DIRECTIONAL SERRATION	4.000 EA
34CB4501SP	TERMINAL BOX LID, STAMPED X (PLATED)	1.000 EA
51XW0832A07	8-32 X .44, TAPTITE II, HEX WSHR SLTD SE	2.000 EA
HW2501D13	KEY, 3/16 SQ X 1.375	1.000 EA
HA7000A04	KEY RETAINER 0.625 DIA SHAFTS	1.000 EA
MG1000G27	MED CHARCOAL METALLIC GREY 400-0096	0.014 GA
85XU0407S04	4X1/4 U DRIVE PIN STAINLESS	2.000 EA
WD1000A15	3-520132-2 AMP FLAG (4M/RL NON-CANC/NON-	1.000 EA
WD1000A16	2-520128-2 AMP FLAG TERMINAL(4M/RL)	6.000 EA

Parts List (continued)		
Part Number	Description	Quantity
WD4100A01	DP-875 HEYCO PLUG OR 62MP0875 MICRO PLAS	1.000 EA
SP5068A01	34L TERM PANEL STAT SWITCH #E-6"	1.000 EA
HA3100A38	THRUBOLT 10-32 X 9.375	4.000 EA
34BA4003C01	RESILIENT BASE, 428-432	1.000 EA
33CB4800A02	CAPACITOR COVER, STAMPED	1.000 EA
MN416A01	TAG-INSTAL-MAINT no wire (1200/bx) 3/19	1.000 EA
LB1118	LABEL,WARNING (ROLL LABEL)	1.000 EA
LC0052	CONNECTION LABEL	1.000 EA
NP1257L	ALUM UL CSA CC THERMAL REV MTG	1.000 EA
36PA1000	PKG GRP, PRINT PK1016A06	1.000 EA

AC Induction Motor Performance Data
Record # 6904 - Typical performance - not guaranteed values

Winding: 34WGW169-R001	Type: 3428L	Enclosure: OPEN
-------------------------------	--------------------	------------------------

Nameplate Data				230 V, 60 Hz: High Voltage Connection	
Rated Output (HP)	.75			Full Load Torque	2.25 LB-FT
Volts	115/230			Start Configuration	direct on line
Full Load Amps	10.2/5.1			Breakdown Torque	5.5 LB-FT
R.P.M.	1725			Pull-up Torque	4.5 LB-FT
Hz	60	Phase	1	Locked-rotor Torque	9.5 LB-FT
NEMA Design Code	N	KVA Code	K	Starting Current	31 A
Service Factor (S.F.)	1.25			No-load Current	3.9 A
NEMA Nom. Eff.	68	Power Factor	68	Line-line Res. @ 25°C	3.1 Ω A Ph 1.64 Ω B Ph
Rating - Duty	40C AMB-CONT			Temp. Rise @ Rated Load	74°C
S.F. Amps	11.4/5.7			Temp. Rise @ S.F. Load	90°C

Load Characteristics 230 V, 60 Hz, 0.75 HP

% of Rated Load	25	50	75	100	125	150	S.F.
Power Factor	35	49	63	70	76	80	76
Efficiency	45.4	59.1	62.7	66.7	66.8	64.4	66.8
Speed	1783	1770	1754	1737	1717	1692	1717
Line amperes	4.05	4.25	4.8	5.3	6.1	7	6.1

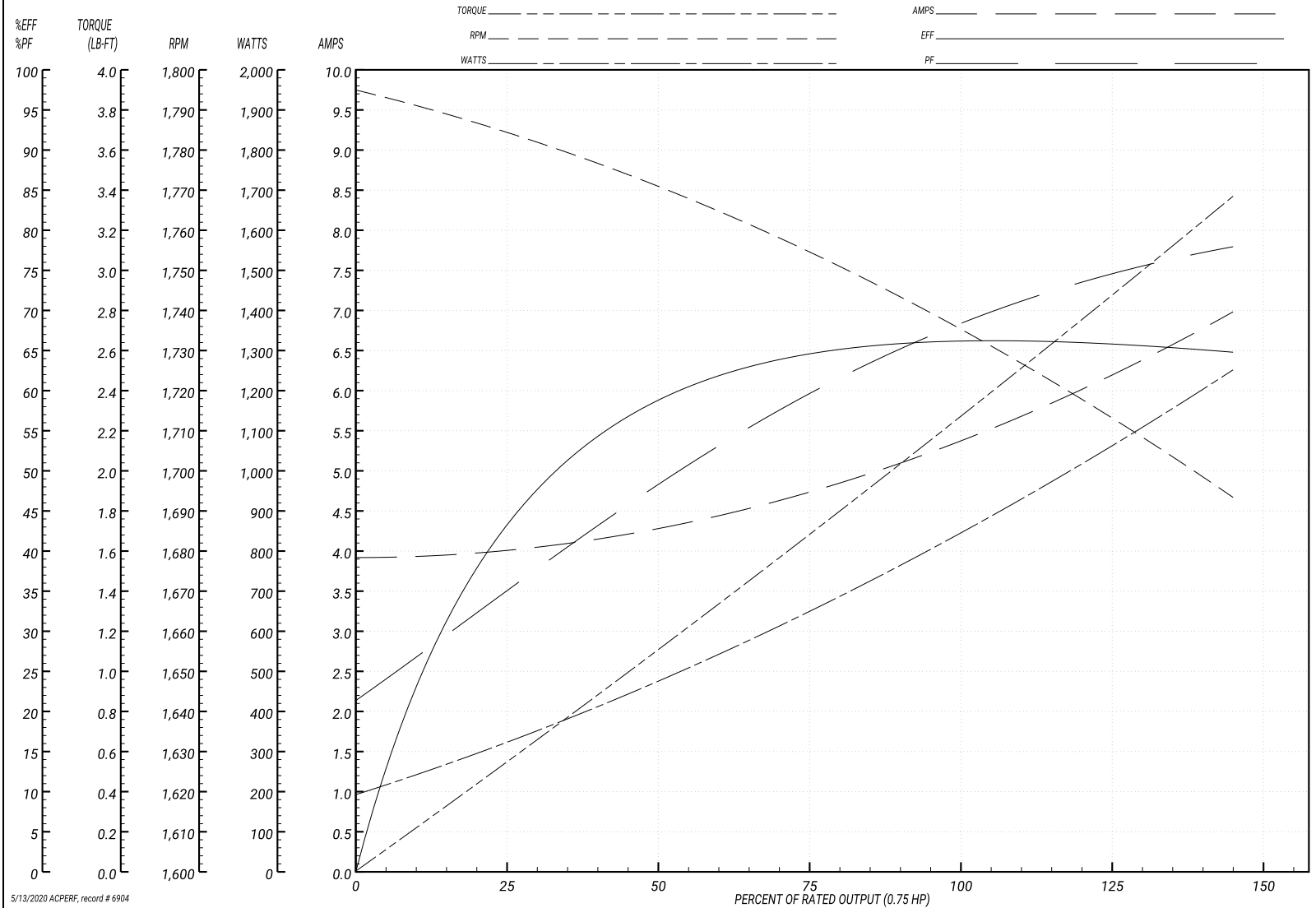
Performance Graph at 230V, 60Hz, 0.75HP Typical performance - Not guaranteed values

ABB Motors and Mechanical Inc.

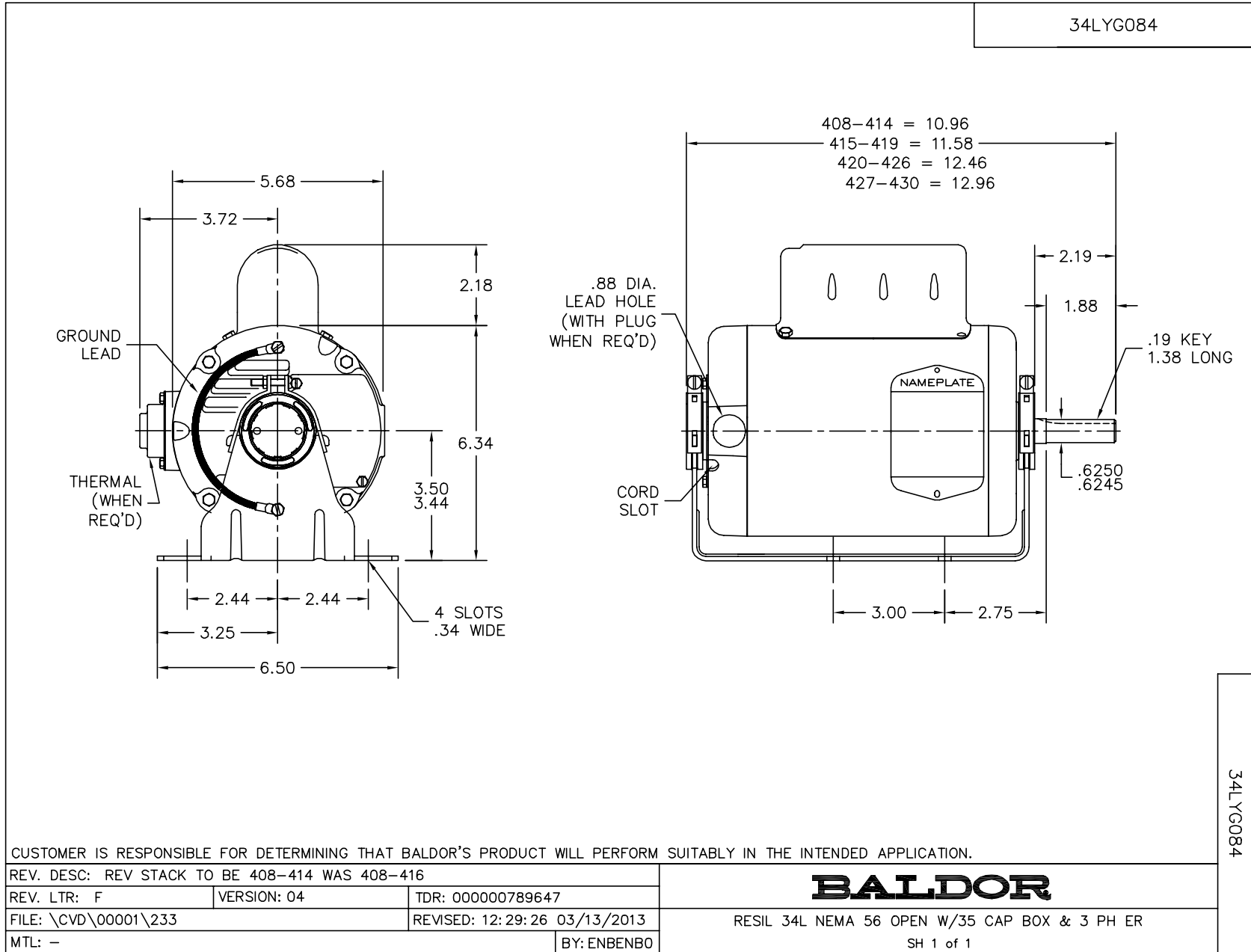
WINDING # 34WGW169

Typical performance - not guaranteed values.

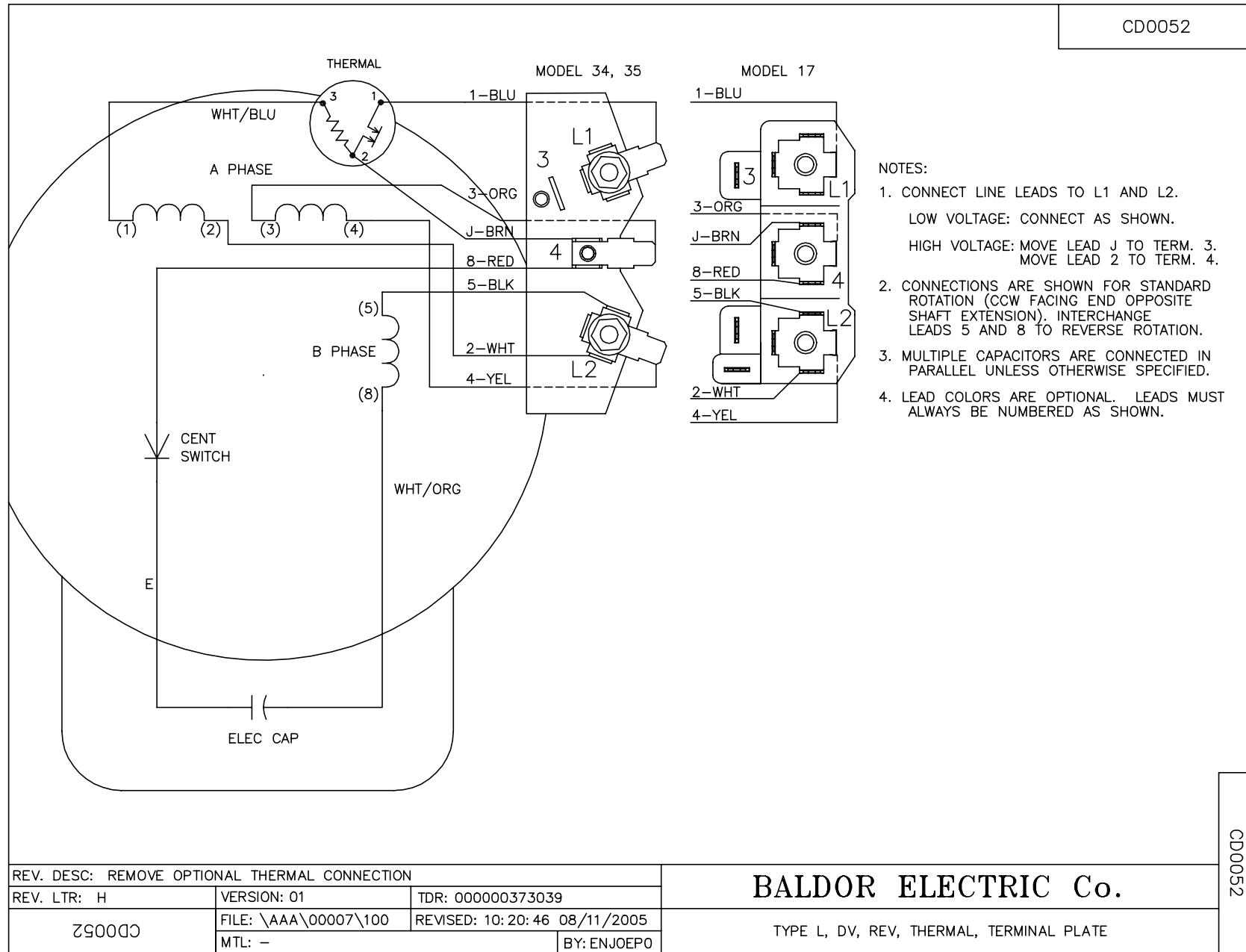
0.75 HP 1 PH 60 HZ 1725 RPM 230 V 3428L
 TORQUES(LB-FT): PO=5.5 PU=4.5 LR=9.5 LRA=31



5/13/2020 ACPERF, record # 6904



CD0052



CD0052

REV. DESC: REMOVE OPTIONAL THERMAL CONNECTION		
REV. LTR: H	VERSION: 01	TDR: 000000373039
Z90052	FILE: \AAA\00007\100	REVISED: 10:20:46 08/11/2005
	MTL: -	BY: ENJOEPO

BALDOR ELECTRIC Co.

TYPE L, DV, REV, THERMAL, TERMINAL PLATE